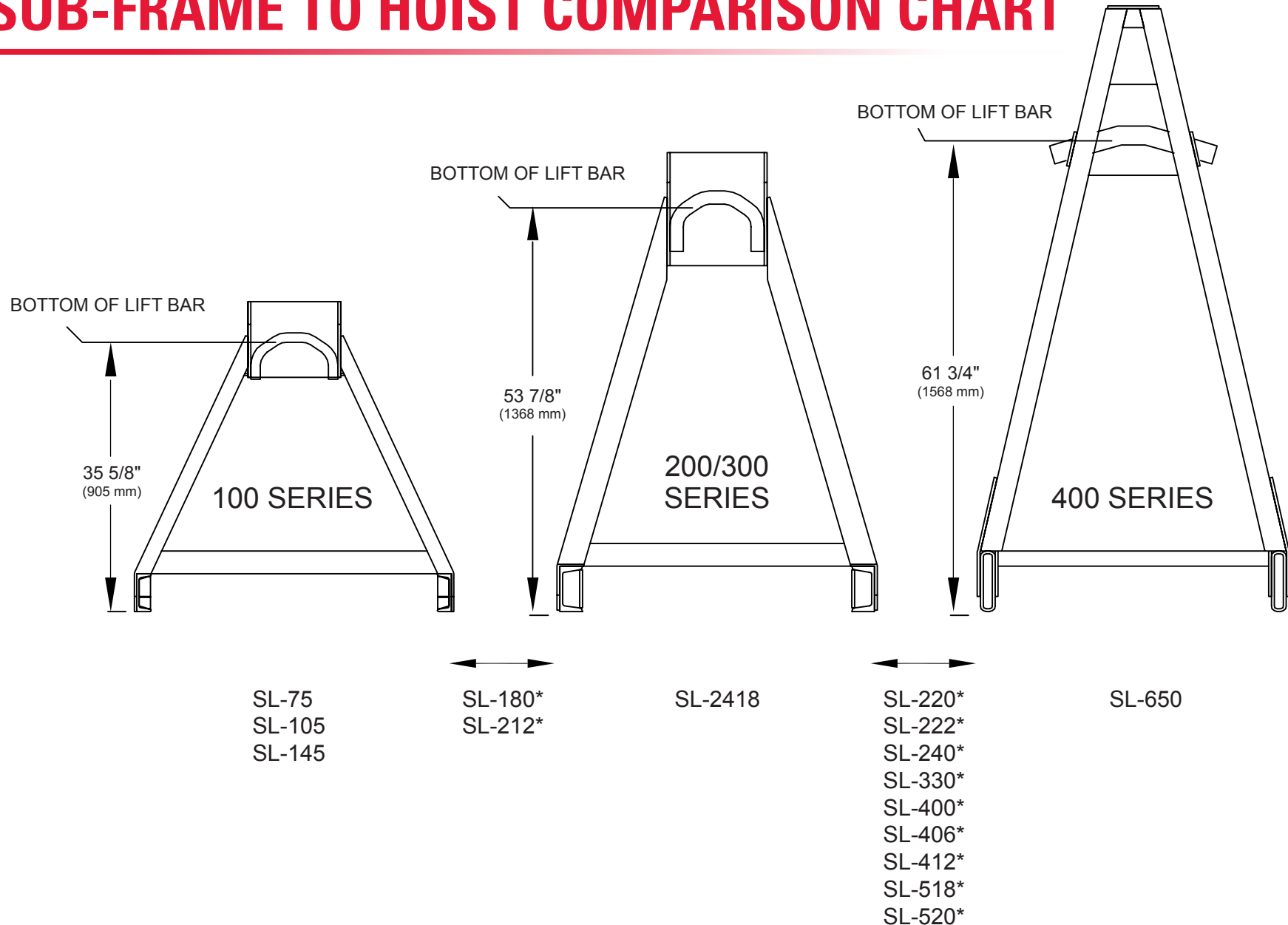


SUB-FRAME TO HOIST COMPARISON CHART



*Hooklift models with an Adjustable Dual Height Jib option.